

# ODORANT CONTAINER

Transport container for gas odorant

## Transport approval

UN 1A1/X2/900

## Material

1.4301 (304) or 1.4404 (316L)

## Finishing

pickled and passivated in the bath

## Volumes

25 to 200 liters (see type overview)

## Gaskets

Viton or PCTFE gasket

## Pressure

Pressure vessel up to 7 bar ( 10 bar)

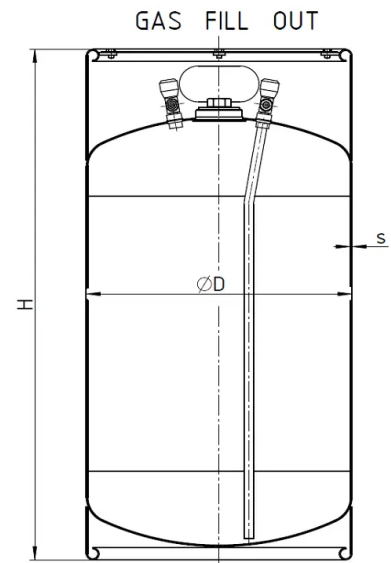
## Equipment

Topsoil with:

- FILL Centric filling spout G 2".
- OUT Riser pipe with valve and coupling plug SCHMIDT S
- GAS valve with coupling plug SCHMIDT D



Type	Material	Finishing	Volume [l]	Ø Da [mm]	H [mm]	s [mm]	Mass [kg]	Pressure [bar]
GA 25	1.4301 (304)	stained	27	324	515	3	20	-1/+10
GA 50	1.4301 (304)	stained	56	324	895	3	29	-1/+10
GA 100	1.4301 (304)	stained	110	450	920	3	45	-1/+7
GA 200	1.4301 (304)	stained	210	600	985	3	70	-1/+7
LA 25	1.4301 (304)	stained	33	363	440	1,5	11	-1/+5
LA 50	1.4301 (304)	stained	53	363	690	1,5	15	-1/+5
LA 100	1.4301 (304)	stained	110	450	925	2	34	-1/+4
LA 200	1.4301 (304)	stained	204	600	965	2	47	-1/+4



*Safety for people, product and the environment*



**Dipl.-Ing. Wilhelm Schmidt GmbH**  
 Breslauer Str. 14  
 64342 Seeheim-Jugenheim  
 Germany

+49 6257 50 69 0  
 +49 6257 50 69 50  
 info@schmidt-seeheim.de  
 www.schmidt-seeheim.com