

PROCESS VESSEL

CE pressure vessel for stationary process

Material

1.4404 (316L)

Finishing

stained in the bath or electropolished inside and outside

Volumes

0.1 to 1,000 liters (see type overview)

Gaskets

PTFE, chambered

Pressure

-1/ 5 bar

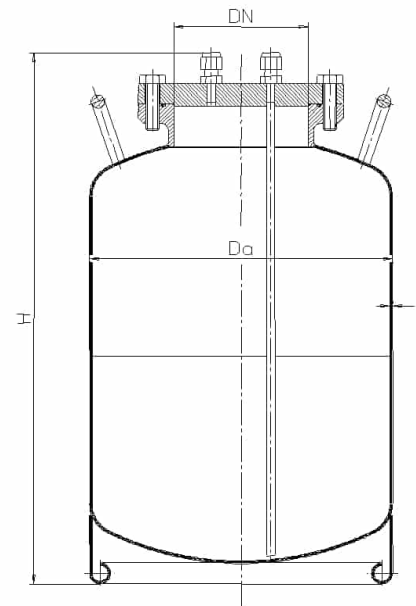
Equipment

Central flange with:

- **OUT** Immersion tube with tube fitting
- **GAS** pipe fitting"



Type	Material	Finishing	Volume [l]	Ø Da [mm]	H [mm]	s [mm]	Mass [kg]	Pressure [bar]
JE 0.25	1.4404 (316L)	stained	0,3	67	160	1	1,5	-1/+5
JE 0.5	1.4404 (316L)	stained	0,6	89	190	1	2	-1/+5
JE 01	1.4404 (316L)	stained	1,3	108	230	1	2,5	-1/+5
JE 02	1.4404 (316L)	stained	3	140	300	1	4	-1/+5
JE 05	1.4404 (316L)	stained	6	181	350	1	6	-1/+5
NE 10	1.4404 (316L)	stained	12	229	460	1,5	10	-1/+5
NE 20	1.4404 (316L)	stained	23	278	550	1,5	12	-1/+5
NE 30	1.4404 (316L)	stained	33	324	610	1,5	14	-1/+5
NE 50	1.4404 (316L)	stained	53	363	675	1,5	16	-1/+5
HE 100	1.4404 (316L)	stained	110	450	960	2	30	-1/+4
ME 150	1.4404 (316L)	stained	160	550	950	2,5	40	-1/+4
HE 200	1.4404 (316L)	stained	220	600	1050	2	56	-1/+4



Safety for people, product and the environment



Dipl.-Ing. Wilhelm Schmidt GmbH
 Breslauer Str. 14
 64342 Seeheim-Jugenheim
 Germany

+49 6257 50 69 0
 +49 6257 50 69 50
 info@schmidt-seeheim.de
 www.schmidt-seeheim.com