

SUPPLY CONTAINER

Pressure vessel with double jacket and bottom outlet

Material

1.4404 (316L)

Finishing

stained in the bath or electropolished inside and outside

Volumes

0.1 to 1,000 liters (see type overview)

Gaskets

PTFE, chambered

Pressure

-1/ 5 bar

Equipment

Central flange with:

- **OUT** Immersion tube with tube fitting
- **GAS** pipe fitting

Above cylindrical part and bottom:

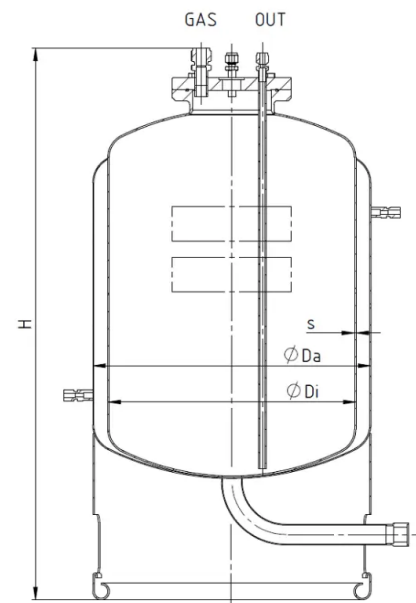
- **DOUBLE MANTLE**

Centered in the underbody:

- **DRAIN** floor outlet in 90° bend with pipe fitting



Type	Material	Finishing	Volume [l]	Ø Da [mm]	H [mm]	s [mm]	Mass [kg]	Pressure [bar]
JEDS 0.25	1.4404 (316L)	stained	0,3	67	160	1	1,5	-1/+5
JEDS 0.5	1.4404 (316L)	stained	0,6	89	190	1	2	-1/+5
JEDS 01	1.4404 (316L)	stained	1,3	108	230	1	2,5	-1/+5
JEDS 02	1.4404 (316L)	stained	3	140	300	1	4	-1/+5
JEDS 05	1.4404 (316L)	stained	6	181	350	1	6	-1/+5
NEDS 10	1.4404 (316L)	stained	12	229	460	1,5	10	-1/+5
NEDS 20	1.4404 (316L)	stained	23	278	550	1,5	12	-1/+5
NEDS 30	1.4404 (316L)	stained	33	324	610	1,5	14	-1/+5
NEDS 50	1.4404 (316L)	stained	53	363	675	1,5	16	-1/+5
HEDS 100	1.4404 (316L)	stained	110	450	960	2	30	-1/+4
MEDS150	1.4404 (316L)	stained	160	550	950	2,5	40	-1/+4
HEDS 200	1.4404 (316L)	stained	205	600	1050	2	56	-1/+4



Safety for people, product and the environment



Dipl.-Ing. Wilhelm Schmidt GmbH

Breslauer Str. 14

64342 Seeheim-Jugenheim

Germany

+49 6257 50 69 0

+49 6257 50 69 50

info@schmidt-seeheim.de

www.schmidt-seeheim.com