

FLANGED CONTAINER

Stainless steel tank in closed flange system

Transport approval

UN 1A1/X2/900 (special ADR/RID packing instructions possible)

Material

1.4404 (316L)

Finishing

stained in the bath or electropolished inside and outside

Volumes

1 to 400 liters (see type overview)

Gaskets

PTFE, chambered

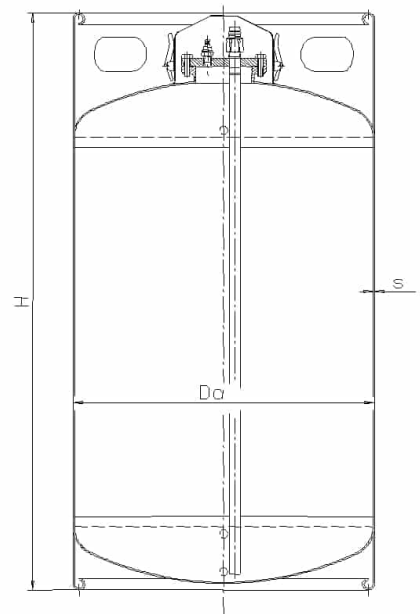
Pressure

-1 to 5 bar

Equipment

Central flange with:

- **OUT** Riser pipe with quick coupling SCHMIDT M male
- **GAS** quick coupling SCHMIDT K male



Type	Material	Finishing	Volume [l]	Ø Da [mm]	H [mm]	s [mm]	Mass [kg]	Pressure [bar]
JF 0.25	1.4404 (316L)	stained	0,3	67	300	1	2	-1/+5
JF 0.5	1.4404 (316L)	stained	0,6	89	330	1	3	-1/+5
JF 0.1	1.4404 (316L)	stained	1,3	108	350	1	3	-1/+5
JF 02	1.4404 (316L)	stained	2,9	140	350	1	5	-1/+5
JF 05	1.4404 (316L)	stained	6	181	410	1	6	-1/+5
NF 10	1.4404 (316L)	stained	12	229	500	1,5	10	-1/+5
NF 20	1.4404 (316L)	stained	23	278	580	1,5	12	-1/+5
NF 30	1.4404 (316L)	stained	33	324	625	1,5	14	-1/+5
NF 50	1.4404 (316L)	stained	53	363	690	1,5	16	-1/+5
HF 100	1.4404 (316L)	stained	110	450	920	2	30	-1/+4
MF 200	1.4404 (316L)	stained	205	550	1085	2,5	43	-1/+4
GF 200	1.4404 (316L)	stained	220	600	1100	3	95	-1/+5
GF 400	1.4404 (316L)	stained	430	800	1300	3	120	-1/+2,3

Safety for people, product and the environment



Dipl.-Ing. Wilhelm Schmidt GmbH
 Breslauer Str. 14
 64342 Seeheim-Jugenheim
 Germany

+49 6257 50 69 0
 +49 6257 50 69 50
 info@schmidt-seeheim.de
 www.schmidt-seeheim.com