

INTERMEDIATE BULK CONTAINER

Bulk containers made of stainless steel

Transport approval

UN 31 A/Y (special ADR/RID packing instructions possible)

Material

1.4301 (304) or 1.4404 (316L)

Finishing

pickled and passivated or inside electropolished

Volumes

550 to 1,400 litres (see type overview)

Gaskets

PTFE, chambered

Pressure

-0,8/ 3 bar

Equipment

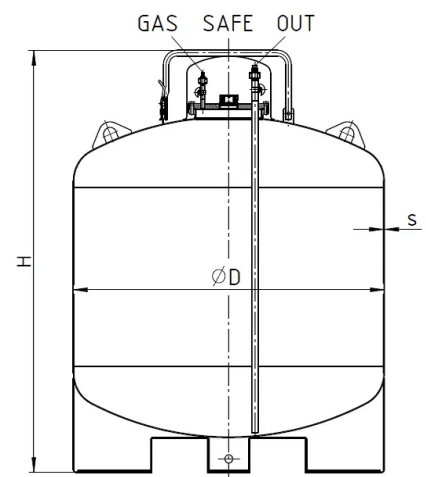
Central flange with:

- OUT Riser pipe with quick coupling SCHMIDT M male
- GAS quick coupling SCHMIDT K male
- SAFE fuse

Entry rails for forklift trucks and pallet trucks



Type	Material	Finishing	Volume [l]	Ø Da [mm]	H [mm]	s [mm]	Mass [kg]	Pressure [bar]
GF 700	1.4404 (316L)	stained	770	1200	1250	3	180	-0,8/+3
GF 900	1.4404 (316L)	stained	990	1200	1500	3	210	-0,8/+3
GF 1000	1.4404 (316L)	stained	1120	1200	1600	3	220	-0,8/+3
GF 1400	1.4404 (316L)	stained	1500	1200	1900	3	245	-0,5/+3
GFV 700	1.4301 (304)	stained	770	1200	1250	3	180	-0,8/+3
GFV 900	1.4301 (304)	stained	990	1200	1500	3	210	-0,8/+3
GFV 1000	1.4301 (304)	stained	1120	1200	1600	3	220	-0,8/+3
GFV 1400	1.4301 (304)	stained	1500	1200	1900	3	245	-0,5/+3



Safety for people, product and the environment



Dipl.-Ing. Wilhelm Schmidt GmbH
 Breslauer Str. 14
 64342 Seeheim-Jugenheim
 Germany

+49 6257 50 69 0
 +49 6257 50 69 50
 info@schmidt-seeheim.de
 www.schmidt-seeheim.com