

TANK CONTAINER

Tank container L10 BH and T 19 portable tank

Transport approval

ADR/RID/IMDG T 19

Material

1.4404 (316L)

Finishing

pickled and passivated or inside electropolished

Volumes

1,000 liters (see type overview)

Gaskets

PTFE, chambered

Pressure

-1/ 6 bar

Equipment

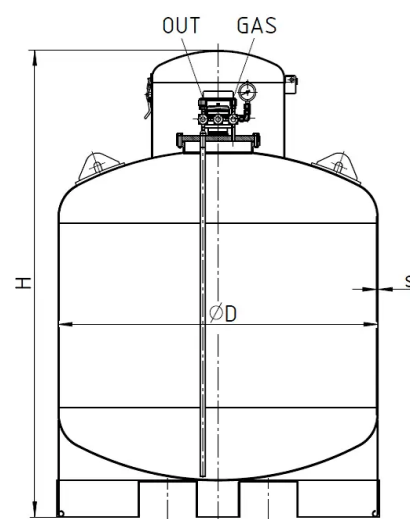
Central flange with:

- **OUT** Riser pipe with quick coupling SCHMIDT M male
- **GAS** quick coupling SCHMIDT K male

Entry rails for forklift trucks and pallet trucks



Type	Material	Finishing	Volume [l]	Ø Da [mm]	H [mm]	s [mm]	Mass [kg]	Pressure [bar]
QF 1000	1.4404 (316L)	stained	1100	1200	1600	4	255	4
RF 1000	1.4404 (316L)	stained	1100	1200	1600	6	370	6



Safety for people, product and the environment



Dipl.-Ing. Wilhelm Schmidt GmbH

Breslauer Str. 14

64342 Seeheim-Jugenheim

Germany

+49 6257 50 69 0

+49 6257 50 69 50

info@schmidt-seeheim.de

www.schmidt-seeheim.com